

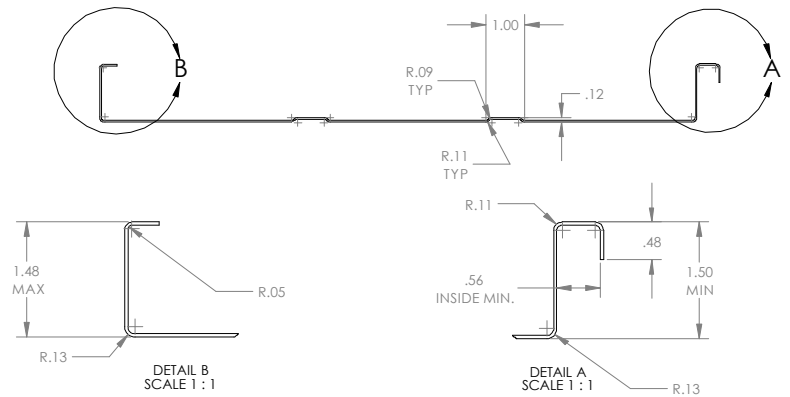


KNUDSON

# KR-24

## 1.5-INCH (38-MM) STANDING SEAM ROOF PANEL MACHINE

### PROFILE



### MACHINE INCLUDES

- Max Speed: 100 Feet Per Minute
- Compact Main Forming Rollers
- Easy Changeover
- Touch Screen Digital Controller
- UL 90-Certified 2-Inch Standing Seam
- Choice of Gas Engine or Electric Motor
- Optional Oiler Kit
- Optional Run-Out Table

### ACCESSORY OPTIONS

- Optional Mechanical Hand Crimper (1/2" Head)
- Optional US-9 Seamer

### US-9 ELECTRIC SEAMER OPTIONS

- Either [120 V/60 Hz] or [220 V/50 Hz]
- Single Lock Mechanical Seam [90° 1.0" to 1.5" (1/2" Head)]
- Double Lock Mechanical Seam [180° 1.0" to 1.5" (1/2" Head)]
- Double to Single Conversion Kit (180° - > 90°)
- Single to Double Conversion Kit (90° - > 180°)

### SPECIFICATIONS

\*GAUGES 26-22 ARE RECOMMENDED IF RUNNING STEEL. CONTACT US IF ADDITIONAL GAUGES ARE DESIRED.

COIL WIDTH	24 Inches / 610 Millimeters		
MATERIAL	STEEL	ALUMINUM	COPPER
COIL THICKNESS	.018" - .032" (.46mm - .81mm)	.024" - .032" (.61mm - .81mm)	20 oz - 16 oz
MAXIMUM YIELD	50 KSI	33 KSI	33 KSI
COATING	Paint or Galvanized	Paint or Mill Finish	N/A



**KNUDSON MFG, INC.**

10401 West 120<sup>th</sup> Avenue  
Broomfield, CO 80021 USA

**KNUDSONMFG.COM**

+1 (303) 469-2101