



knudsonmfg.com

Toll Free: 1-800-548-2622

Phone: 1-303-469-2101

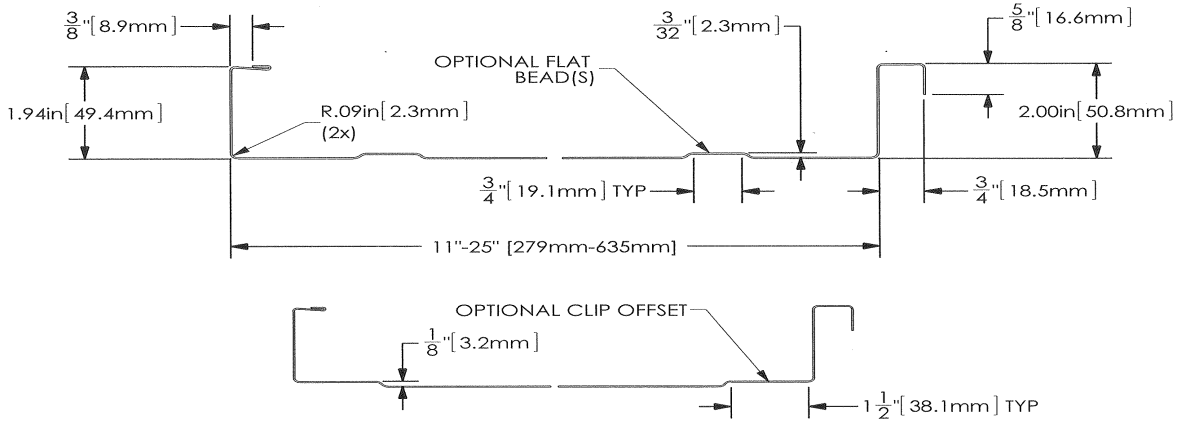
KR-24

2-INCH (51-MM) STANDING SEAM ROOFING PANEL MACHINE



*GAUGES 26-22 ARE RECOMMENDED IF RUNNING STEEL. CONTACT US IF ADDITIONAL GAUGES ARE DESIRED.

PROFILE: KR-24 2-INCH (38-MM) STANDING SEAM PANEL



KR-24 1.5-INCH (51 MM) STANDING SEAM PANEL MATERIAL SPECIFICATIONS

COIL WIDTH	16 - 30 INCHES / 406 - 762 MILLIMETERS		
MATERIAL	STEEL	ALUMINUM	COPPER
COIL THICKNESS	.018 - .032" (.46mm - .81mm)	.024" - .032" (.61mm - .81mm)	20 oz - 16 oz
MAXIMUM YIELD	50 KSI	33 KSI	33 KSI
COATING	PAINT OR GALVANIZED	PAINT OR MILL FINISH	N/A

THE KR-24 2-INCH (51-MM) STANDING SEAM PANEL MACHINE INCLUDES:

- Max Speed: 100 Feet Per Minute.
- Compact Main Forming Rollers.
- Easy Changeover.
- Touch Screen Digital Controller.
- UL 90-Certified 2-Inch Standing Seam.
- Choice of Gas Engine or Electric Motor.
- Optional Oiler Kit.
- Optional Run-Out Table.

ACCESSORIES: THE KR-24 2-INCH (51-MM) STANDING SEAM PANEL MACHINE

- Optional 3/4-Inch-Head Mechanical Hand Crimper.
- Optional US-9 Electric Seamer.

Seamer Options:

- Either [120 V / 60 Hz] or [220 V / 50 Hz].
- Single Lock Mechanical Seam [90° 2.0" to 2.5" (3/4") Head]
- Double Lock Mechanical Seam [180° 2.0" to 2.5" (3/4") Head]
- Double to Single Conversion Kit (180° → 90°)
- Single to Double Conversion Kit (90° → 180°)

THERE'S ONLY ONE KNUDSON. QUALITY. DEPENDABILITY. OVER 60 YEARS IN BUSINESS.