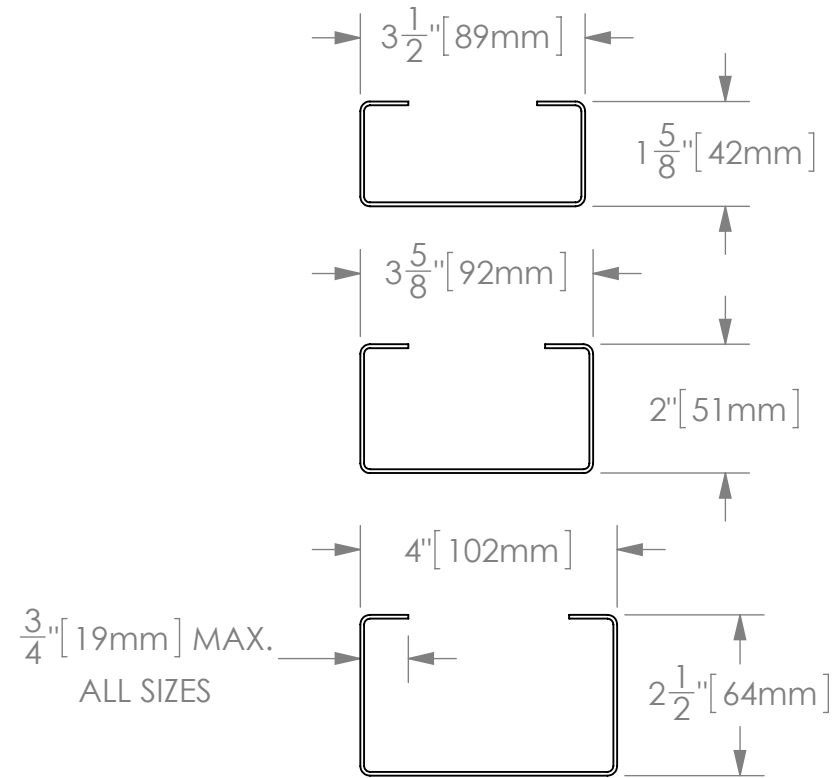
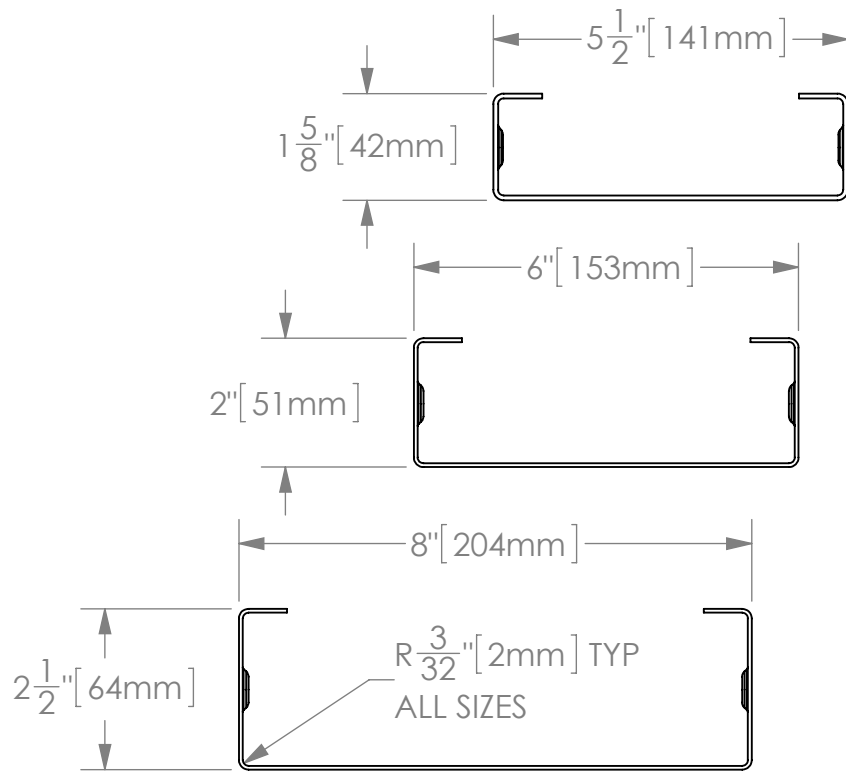
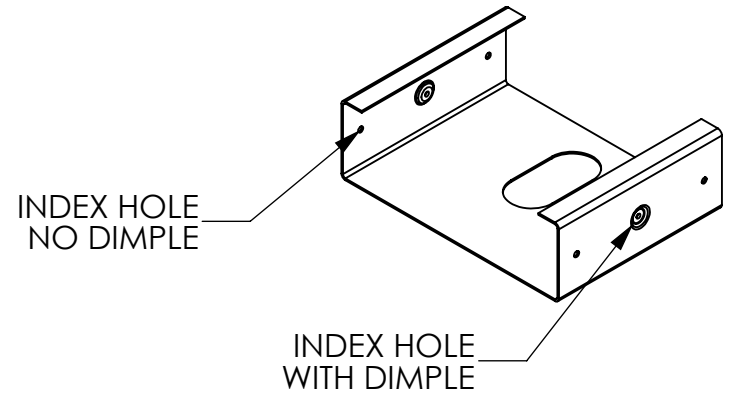




# KS-1622 STUDS



SIX WEB WIDTHS: 8", 6", 5-1/2", 4", 3-5/8" & 3-1/2"  
 THREE FLANGE HEIGHTS: 2-1/2", 2" & 1-5/8"  
 MATERIAL THICKNESS: 16 ga - 22 ga [1.5mm - 0.9mm]