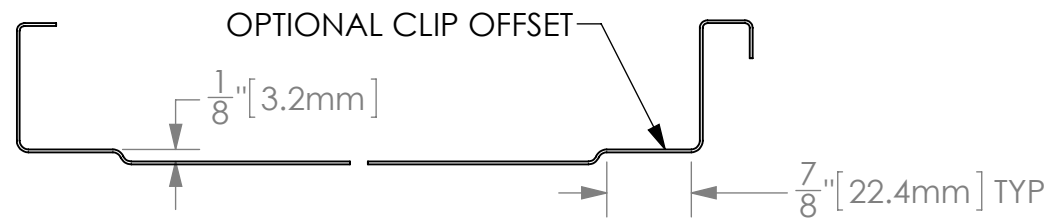
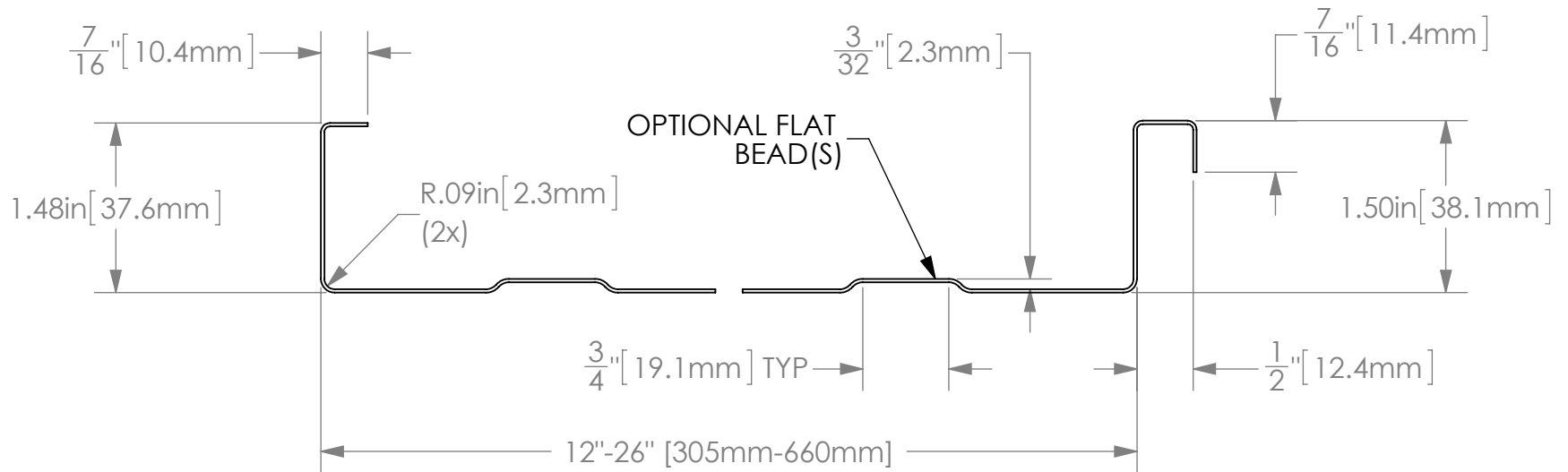




KR-24 PANEL MACHINE
1-1/2" STANDING SEAM PANEL



MATERIAL SPECIFICATIONS

COIL WIDTH	16" - 30" [406mm - 762mm]		
MATERIAL	STEEL	ALUMINUM	COPPER
COIL THICKNESS	.036"-.018" [.76mm-46mm]	.030"-.018" [.76mm-46mm]	20 oz - 16 oz
MAX. TENSILE	52 KSI	33 KSI	33 KSI
COATING	PAINT OR GALVANIZED	PAINT	n/a