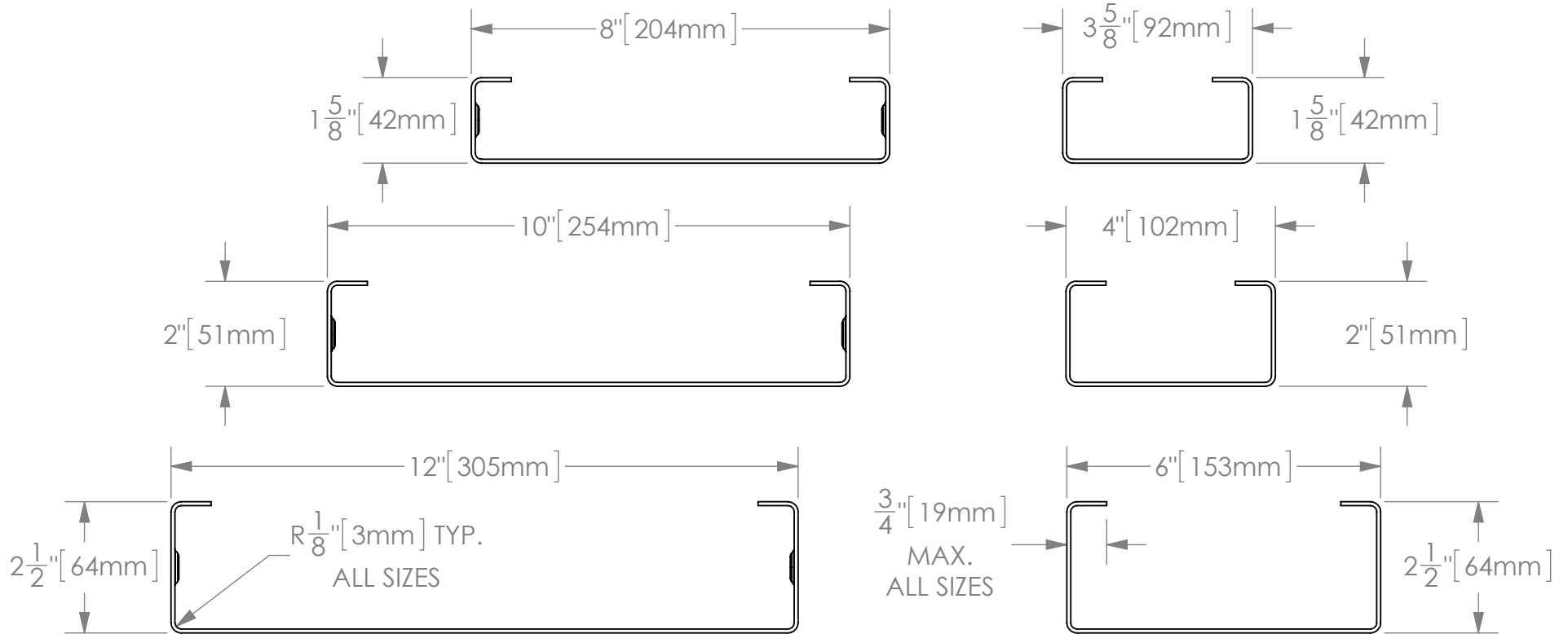
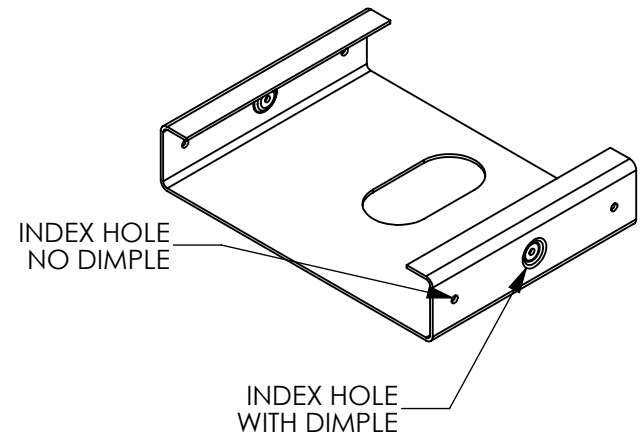




KFS-1420 STUDS



SIX WEB WIDTHS: 12", 10", 8", 6", 4" & 3-5/8"
THREE FLANGE HEIGHTS: 2-1/2", 2" & 1-5/8"
MATERIAL THICKNESS: 14 ga - 20 ga [1.9mm - 1.0mm]