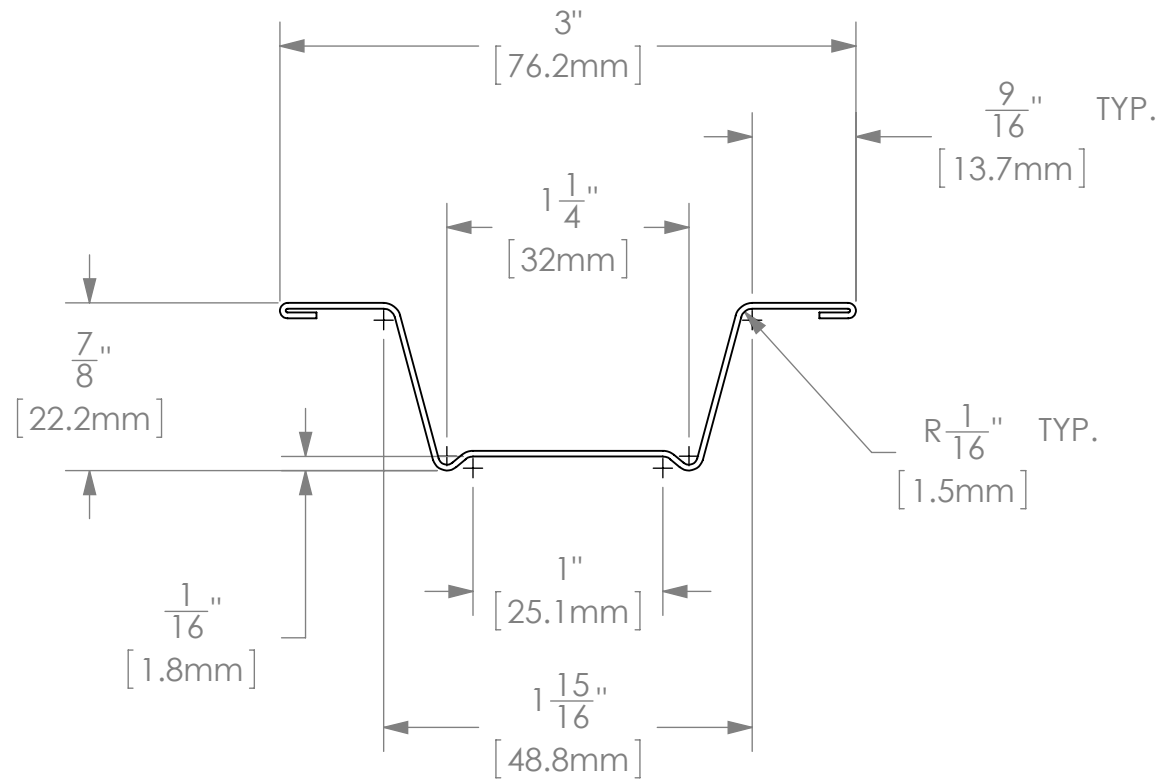
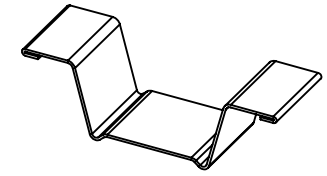




KFS-35C #342 TOOLING PACKAGE



MATERIAL THICKNESS: 20 ga - 26 ga [.9mm - .5mm]