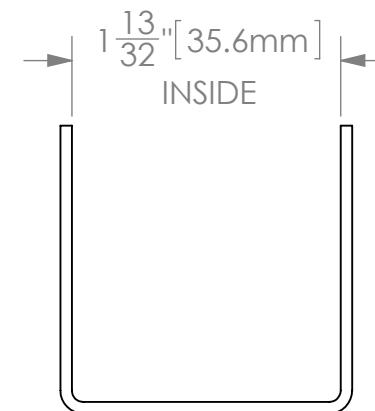
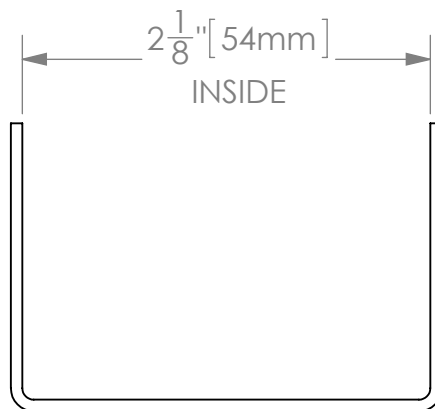
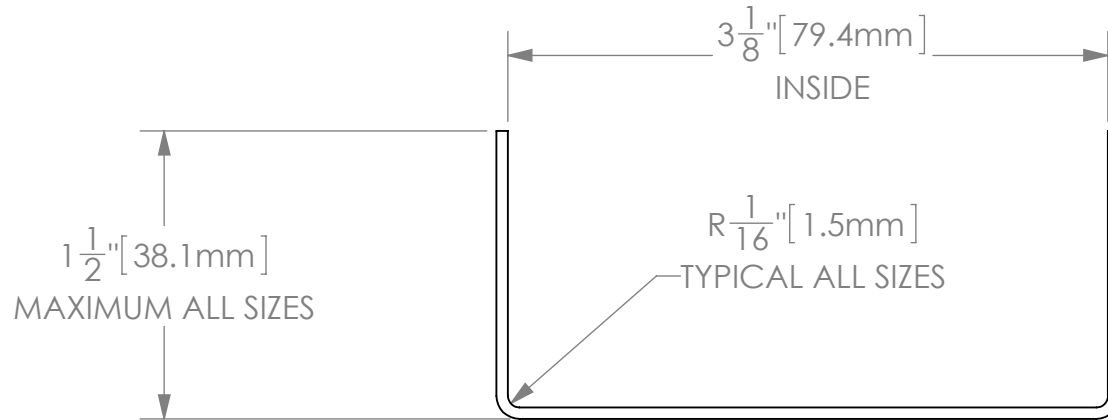




KFS-35C #335 TOOLING PACKAGE



MATERIAL THICKNESS: 16 ga - 26 ga [1.5mm - .5mm]